

EC低静压后倾离心风机
B-Flow

ErP2015
EXCEEDS THE NORM

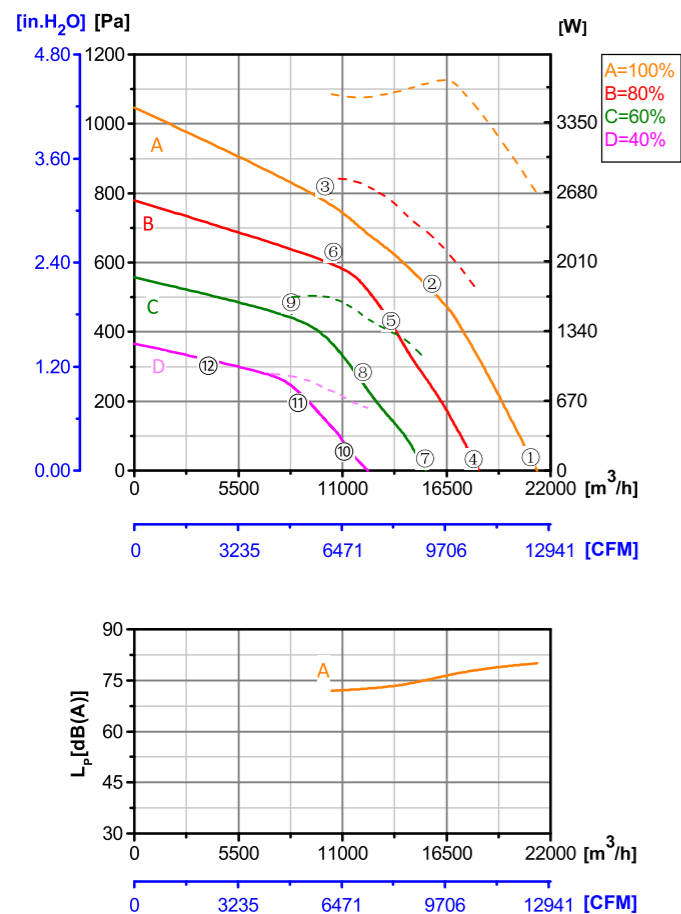
后倾离心风机 Motorized Backward Curved Impeller



Φ 630

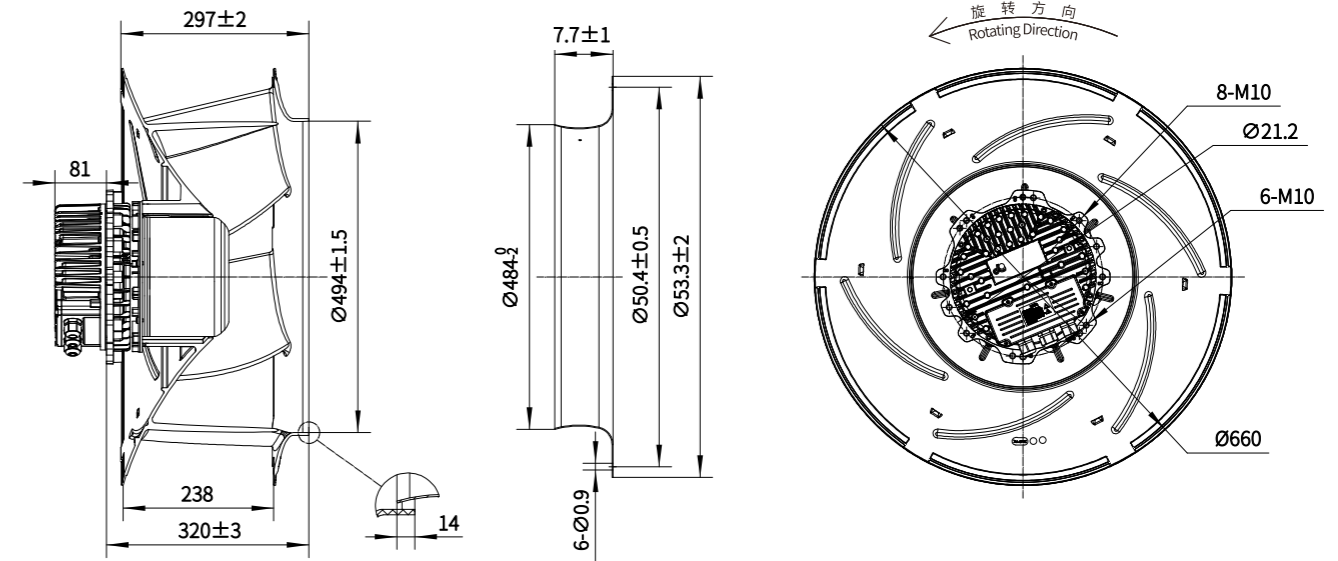
转子材质 Rotor Material: 碳钢 Carbon steel
 风叶材质 Blade Material: 塑料 Plastic
 防护等级 Ingress Protection: IP55
 绝缘等级 Insulation Class: F
 轴承类型 Bearing Type: 免维护滚珠球轴承
 Maintenance free ball bearing

性能曲线 Performance Curves

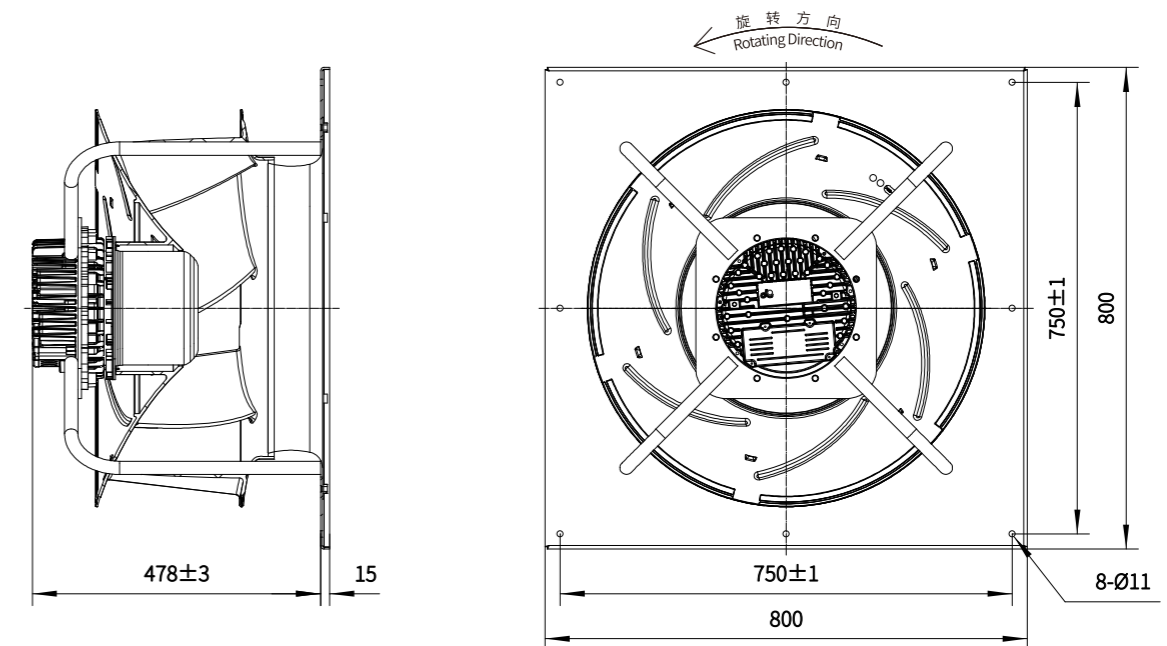


测试节点 Test Point	转速 Speed rpm	输入功率 Input Power W
1	1511	2663
2	1489	3757
3	1435	3621
4	1307	1717
5	1309	2559
6	1308	2806
7	1008	1073
8	1009	1480
9	1009	1665
10	902	602
11	901	852
12	901	926

Erp2015 Data:
 Efficiency $\eta_{statA} = 69.17\%$
 Efficiency grade $N_{actual} = 73.81, N_{target} = 62$
 Test report No. : L-20230224-001-A



带支架 With Supporting Rack



产品型号 Model No.	电压 Voltage	频率 Frequency	转速 Speed	输入功率 Input Power	电流 Current	运行温度 Working Temp.	认证 Approvals
	VDC	Hz	RPM	W	A	Min/Max (°C)	
EC180-B630-C02	3~400	50/60	1500	1950	3.1	-25/+40	CCC,CE,UKCA