

EC 机翼形塑料叶片轴流风机
EC Plastic Airfoil Blade Axial Fan

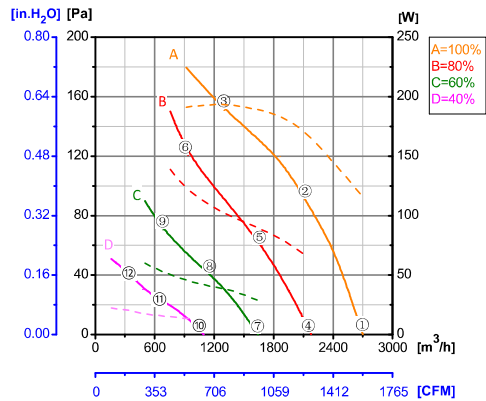
ErP2015
EXCEEDS THE NORM



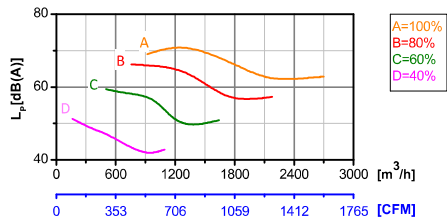
Φ 300

转子材质 Rotor Material: 碳钢 Carbon steel
风叶材质 Blade Material: 塑料 Plastic
防护等级 Ingress Protection: IP42
绝缘等级 Insulation Class: F
轴承类型 Bearing Type: 免维护滚珠轴承
Maintenance free ball bearing

性能曲线 Performance Curves



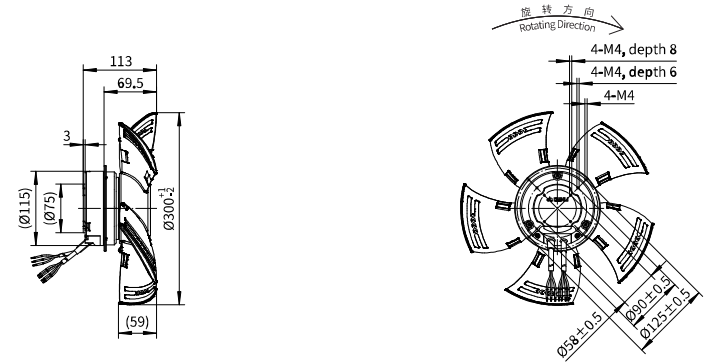
测试节点 Test Point	转速 Speed rpm	输入功率 Input Power W
1	2098	115
2	2099	170
3	2047	195
4	1681	63
5	1681	88
6	1680	119
7	1258	29
8	1261	41
9	1260	52
10	839	11
11	846	15
12	846	20



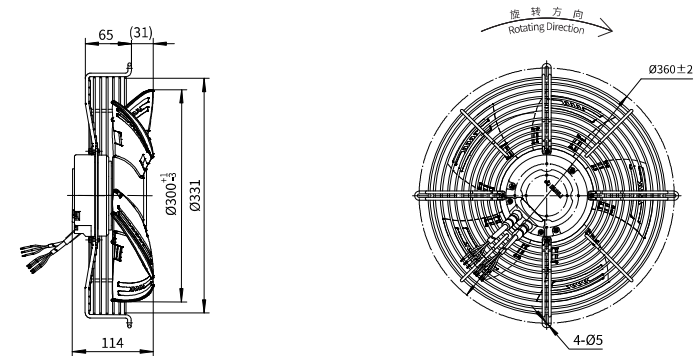
Erp2015 Data:
Efficiency $\eta_{statA} = 38\%$
Efficiency grade $N_{actual} = 48.9$, $N_{target} = 40$
Test report NO.: L-20210302-004-017

产品型号 Model No.	电压 Voltage	频率 Frequency	转速 Speed	输入功率 Input Power	电流 Current	运行温度 Working Temp.	认证 Approvals
	VAC	Hz	RPM	W	A	Min/Max (°C)	
EC92-A300-1B38	1~220/230	50/60	2100	130	1.00	-20/+60	CCC, CE, UL

风机本体 Type A



D型网罩 Type D



F型面板 Type F

