

EC 复翼叶轮后倾离心风机
EC Backward Curved Centrifugal Fan with Aileron Impeller

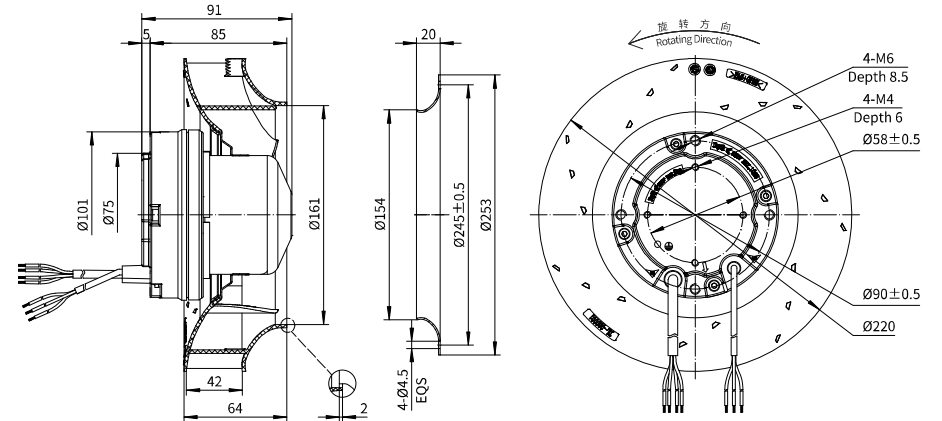
Erp2015
EXCEEDS THE NORM

后倾离心风机 Motorized Backward Curved Impeller

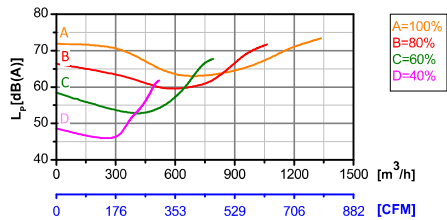
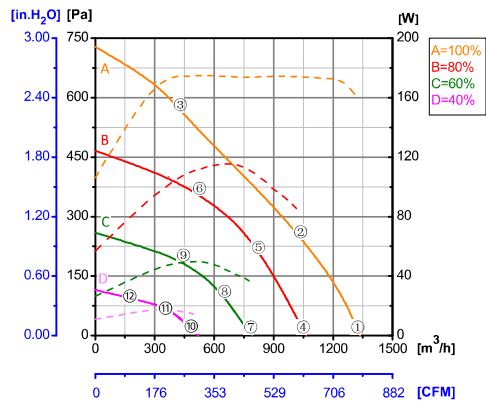


Φ 220-H

转子材质 Rotor Material: 碳钢 Carbon steel
 叶轮材质 Impeller Material: 塑料 Plastic
 防护等级 Ingress Protection: IP54
 绝缘等级 Insulation Class: F
 轴承类型 Bearing Type: 免维护滚珠轴承
 Maintenance free ball bearing



性能曲线 Performance Curves



| 测试节点 Test Point | 转速 Speed rpm | 输入功率 Input Power W |
|--------------------|--------------------|--------------------------|
| 1 | 3498 | 156 |
| 2 | 3328 | 173 |
| 3 | 3303 | 173 |
| 4 | 2803 | 79 |
| 5 | 2799 | 106 |
| 6 | 2801 | 113 |
| 7 | 2097 | 36 |
| 8 | 2097 | 44 |
| 9 | 2097 | 50 |
| 10 | 1402 | 14 |
| 11 | 1402 | 16 |
| 12 | 1402 | 18 |

Erp2015 Data:
 Efficiency η_{statA} = 55.2%
 Efficiency grade N_{actual} = 73.7, N_{target} = 62
 Test report No. : L-20210302 - 005-006

| 产品型号 Model No. | 电压 Voltage | 频率 Frequency | 转速 Speed | 输入功率 Input Power | 电流 Current | 运行温度 Working temp. | 认证 Approvals |
|-------------------|---------------|-----------------|-------------|---------------------|---------------|-----------------------|-----------------|
| | VAC | Hz | RPM | W | A | Min/Max (°C) | |
| EC72-B220-030 | 1~220/230 | 50/60 | 3500 | 165 | 1.20 | -20/+60 | CCC, CE |