

EC 金属叶轮后倾离心风机
EC Backward Centrifugal Fan with Metal Impeller

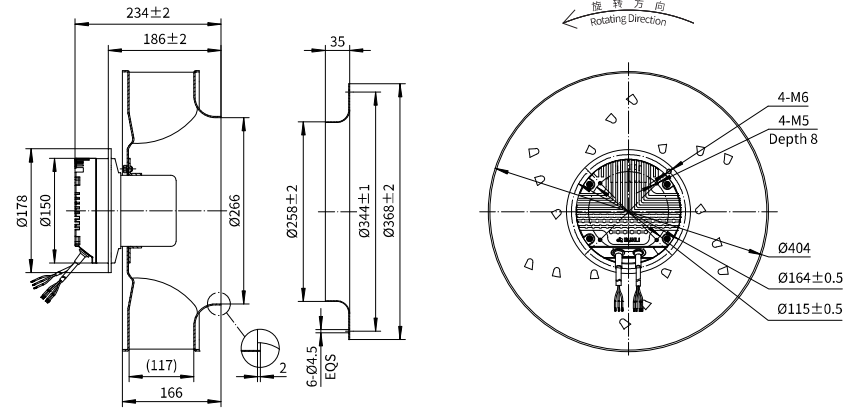
Erp2015
EXCEEDS THE NORM

后倾离心风机 Motorized Backward Curved Impeller

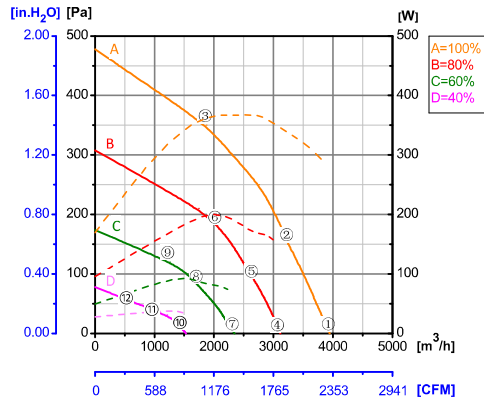


Φ 400-L

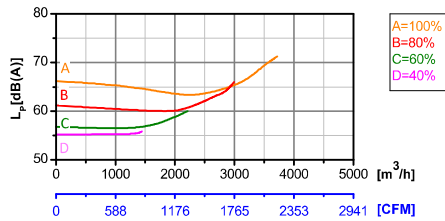
转子材质 Rotor Material: 碳钢 Carbon steel
 叶轮材质 Impeller Material: 铝合金 Aluminum alloy sheet
 防护等级 Ingress Protection: IP54
 绝缘等级 Insulation Class: F
 轴承类型 Bearing Type: 免维护滚珠轴承
 Maintenance free ball bearing



性能曲线 Performance Curves



测试节点 Test Point	转速 Speed rpm	输入功率 Input Power W
1	1396	276
2	1402	322
3	1382	370
4	1119	146
5	1117	170
6	1119	201
7	841	70
8	839	88
9	843	92
10	563	33
11	562	38
12	562	39



Erp2015 Data:
 Efficiency η_{statA} = 59.0%
 Efficiency grade N_{actual} = 74.1, N_{target} = 62
 Test report No. : L-20210302-005-088

产品型号 Model No.	电压 Voltage	频率 Frequency	转速 Speed	输入功率 Input Power	电流 Current	运行温度 Working temp.	认证 Approvals
	VAC	Hz	RPM	W	A	Min/Max (°C)	
EC102-B400-003	1~220/230	50/60	1400	350	1.55	-20/+60	CCC, CE