

EC 金属叶轮后倾离心风机
EC Backward Centrifugal Fan with Metal Impeller

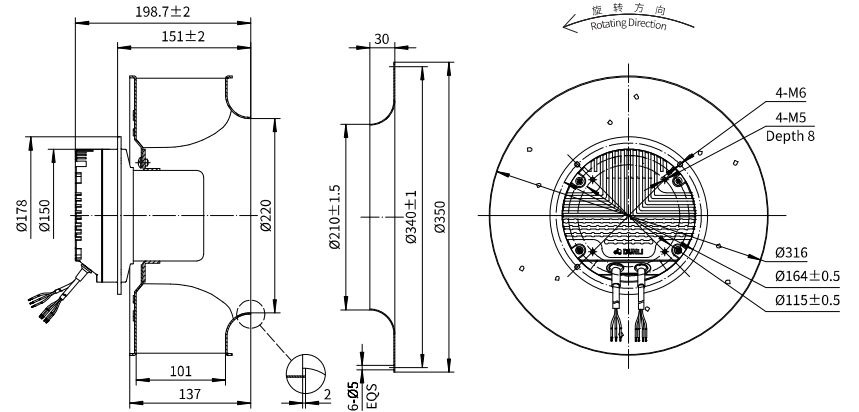
Erp2015
EXCEEDS THE NORM

后倾离心风机 Motorized Backward Curved Impeller

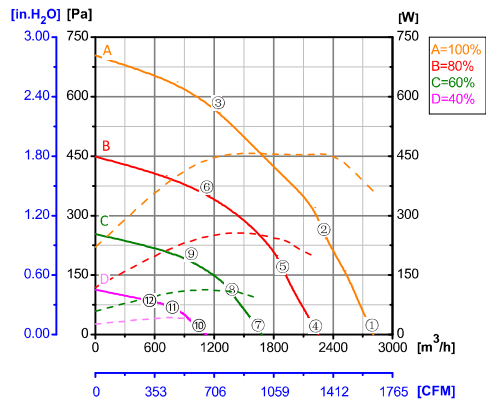


Φ 310-H

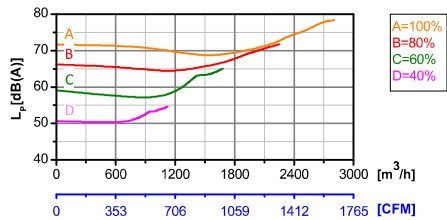
转子材质 Rotor Material: 碳钢 Carbon steel
 叶轮材质 Impeller Material: 铝合金 Aluminum alloy sheet
 防护等级 Ingress Protection: IP54
 绝缘等级 Insulation Class: F
 轴承类型 Bearing Type: 免维护滚珠球轴承
 Maintenance free ball bearing



性能曲线 Performance Curves



测试节点 Test Point	转速 Speed rpm	输入功率 Input Power W
1	2303	361
2	2261	459
3	2267	454
4	1844	191
5	1843	240
6	1844	251
7	1381	87
8	1390	110
9	1387	113
10	923	35
11	924	40
12	924	43



Erp2015 Data:
 Efficiency $\eta_{statA} = 51.8\%$
 Efficiency grade $N_{actual} = 65.9, N_{target} = 62$
 Test report No. : L-20210302-005-049

产品型号 Model No.	电压 Voltage	频率 Frequency	转速 Speed	输入功率 Input Power	电流 Current	运行温度 Working temp.	认证 Approvals
	VAC	Hz	RPM	W	A	Min/Max (°C)	
EC102-B310-033	1~220/230	50/60	2300	385	1.68	-20/+60	CCC, CE