

EC 金属叶轮后倾离心风机  
EC Backward Centrifugal Fan with Metal Impeller

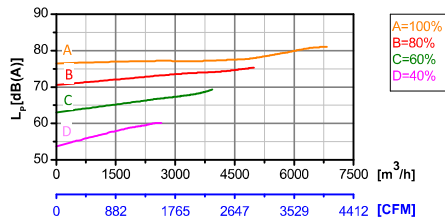
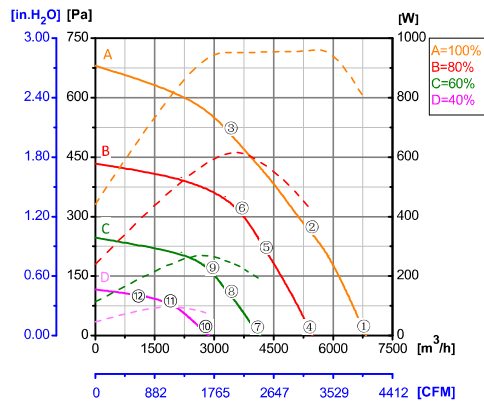
Erp2015  
EXCEEDS THE NORM



Φ 450 (3-phase)

转子材质 Rotor Material: 碳钢 Carbon steel  
 叶轮材质 Impeller Material: 铝合金 Aluminum alloy sheet  
 防护等级 Ingress Protection: IP54  
 绝缘等级 Insulation Class: F  
 轴承类型 Bearing Type: 免维护滚珠轴承  
 Maintenance free ball bearing

性能曲线 Performance Curves

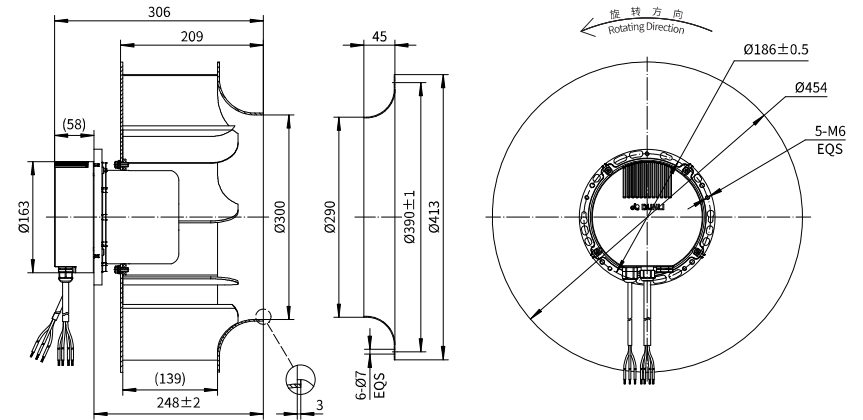


测试节点 Test Point	转速 Speed rpm	输入功率 Input Power W
1	1556	788
2	1515	960
3	1448	951
4	1243	416
5	1246	566
6	1248	615
7	940	189
8	943	242
9	940	264
10	643	73
11	642	88
12	643	98

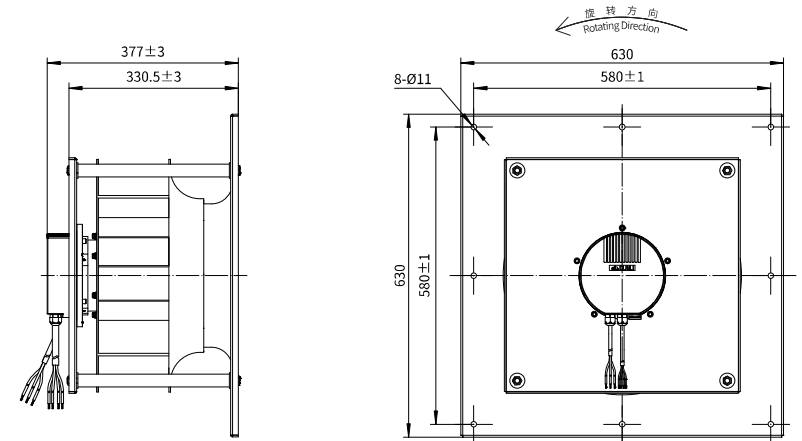
Erp2015 Data:  
 Efficiency  $\eta_{statA}$  = 55.5%  
 Efficiency grade  $N_{actual}$  = 66.2,  $N_{target}$  = 62  
 Test report No. : L-20210302-005-067

产品型号 Model No.	电压 Voltage	频率 Frequency	转速 Speed	输入功率 Input Power	电流 Current	运行温度 Working temp.	认证 Approvals
	VAC	Hz	RPM	W	A	Min/Max (°C)	
EC137-B450-001	3~380/400	50/60	1560	820	1.70	-20/+60	CCC, CE

后倾离心风机 Motorized Backward Curved Impeller



带支架 With Supporting Rack



金属叶轮后倾离心  
Metal Impeller B/C Centrifugal