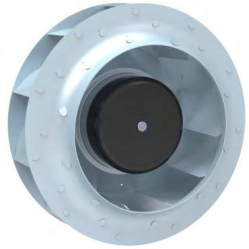


EC 金属叶轮后倾离心风机
EC Backward Centrifugal Fan with Metal Impeller

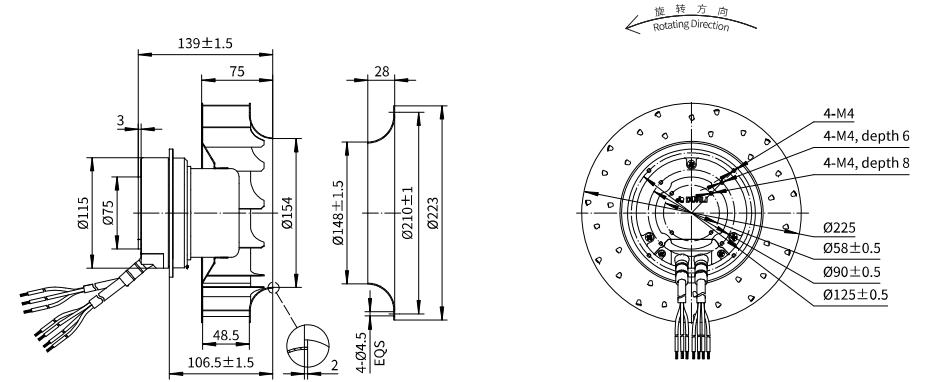
Erp2015
EXCEEDS THE NORM

后倾离心风机 Motorized Backward Curved Impeller

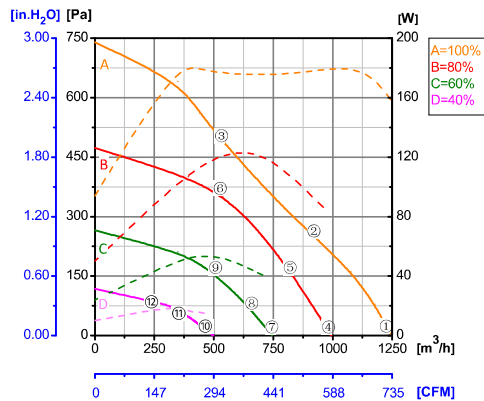


Φ 225

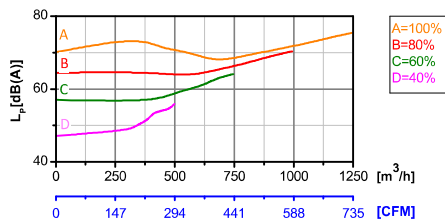
转子材质 Rotor Material: 碳钢 Carbon steel
 叶轮材质 Impeller Material: 镀锌板 Galvanized steel sheet
 防护等级 Ingress Protection: IP44
 绝缘等级 Insulation Class: F
 轴承类型 Bearing Type: 免维护滚珠轴承
 Maintenance free ball bearing



性能曲线 Performance Curves



测试节点 Test Point	转速 Speed rpm	输入功率 Input Power W
1	3400	159
2	3189	178
3	3093	176
4	2718	81
5	2722	106
6	2720	122
7	2038	37
8	2038	44
9	2038	53
10	1357	14
11	1358	16
12	1358	18



Erp2015 Data:
 Efficiency η_{statA} =48.5%
 Efficiency grade N_{actual} =67, N_{target} =62
 Test report No. : L-20210302-005-104

产品型号 Model No.	电压 Voltage	频率 Frequency	转速 Speed	输入功率 Input Power	电流 Current	运行温度 Working Temp.	认证 Approvals
	VAC	Hz	RPM	W	A	Min/Max (°C)	
EC92-B225-B01	1~220/230	50/60	3400	160	1.18	-20/+60	CCC, CE