

DC 高效塑料叶轮后倾离心风机
DC High-efficiency Backward Curved Centrifugal Fan

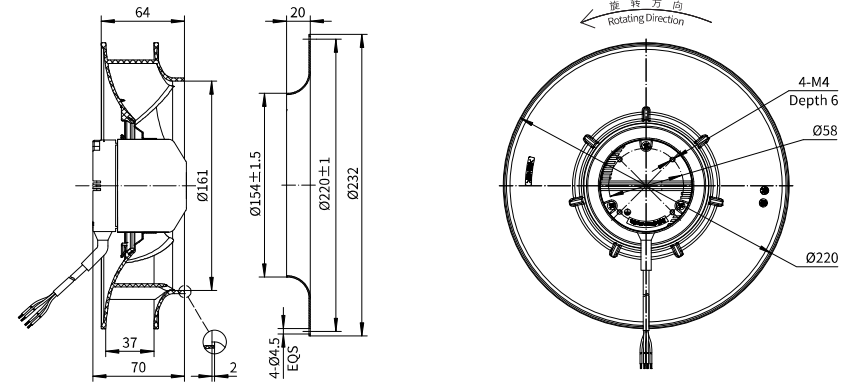
Erp2015
EXCEEDS THE NORM

后倾离心风机 Motorized Backward Curved Impeller

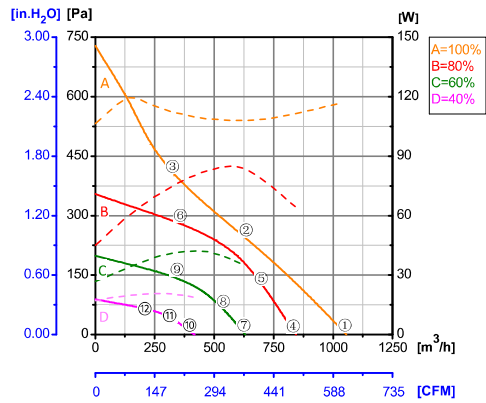


Φ 220

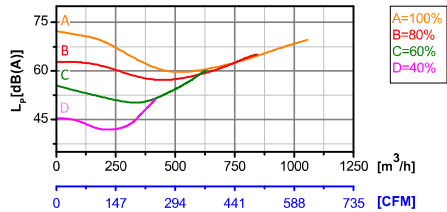
转子材质 Rotor Material: 碳钢 Carbon steel
 叶轮材质 Impeller Material: 塑料 Plastic
 防护等级 Ingress Protection: IP42
 绝缘等级 Insulation Class: F
 轴承类型 Bearing Type: 免维护滚珠轴承
 Maintenance free ball bearing



性能曲线 Performance Curves



测试节点 Test Point	转速 Speed rpm	输入功率 Input Power W
1	3040	78
2	2974	78
3	2814	77
4	2433	42
5	2435	45
6	2438	53
7	1821	21
8	1830	22
9	1824	24
10	1222	9
11	1232	10
12	1228	11



Erp2015 Data:
 Efficiency η_{statA} =40.6%
 Efficiency grade N_{actual} =49, N_{target} =40
 Test report No. : L-20210302-004-087

产品型号 Model No.	电压 Voltage	频率 Frequency	转速 Speed	输入功率 Input Power	电流 Current	运行温度 Working Temp.	认证 Approvals
	VDC	Hz	RPM	W	A	Min/Max (°C)	
DC72-B220-D10	310	/	3600	120	0.39	-20/+60	CCC, CE