

**机翼形塑料叶片轴流风机**  
**Plastic Airfoil Blade Axial Fan**

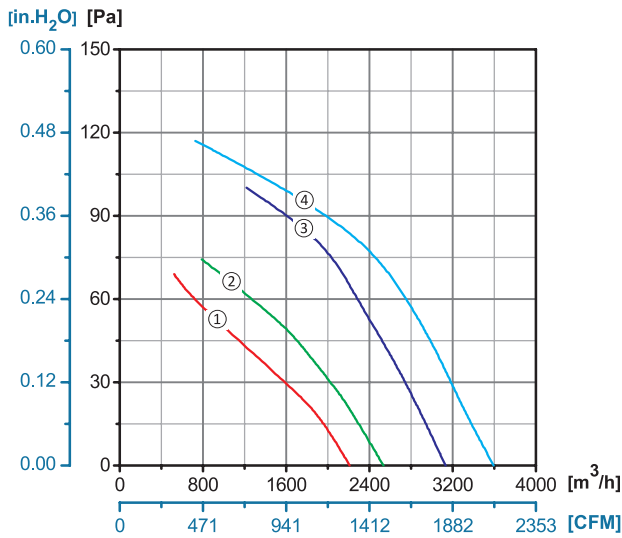
**ErP2015**  
EXCEEDS THE NORM








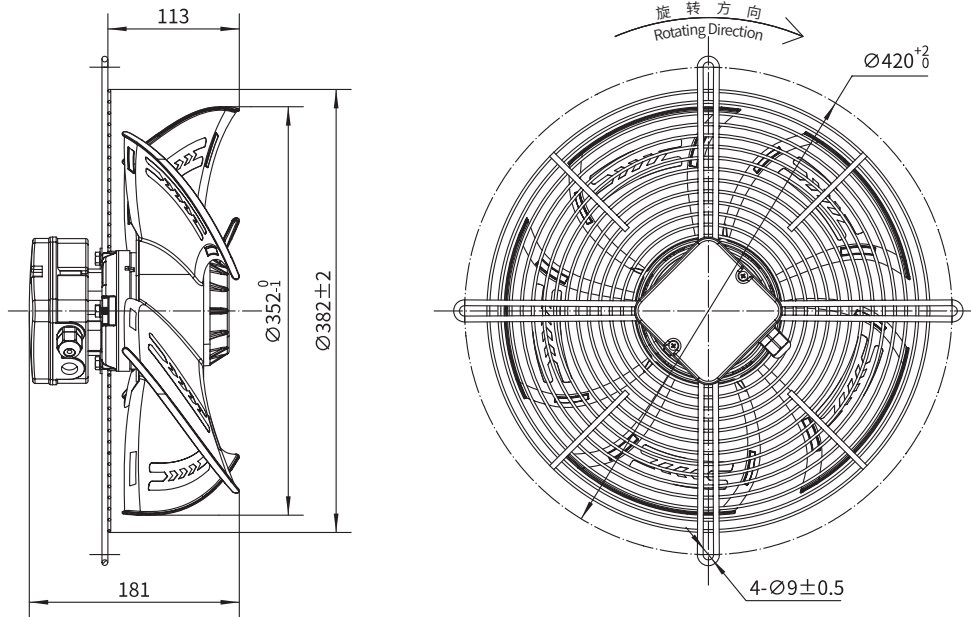
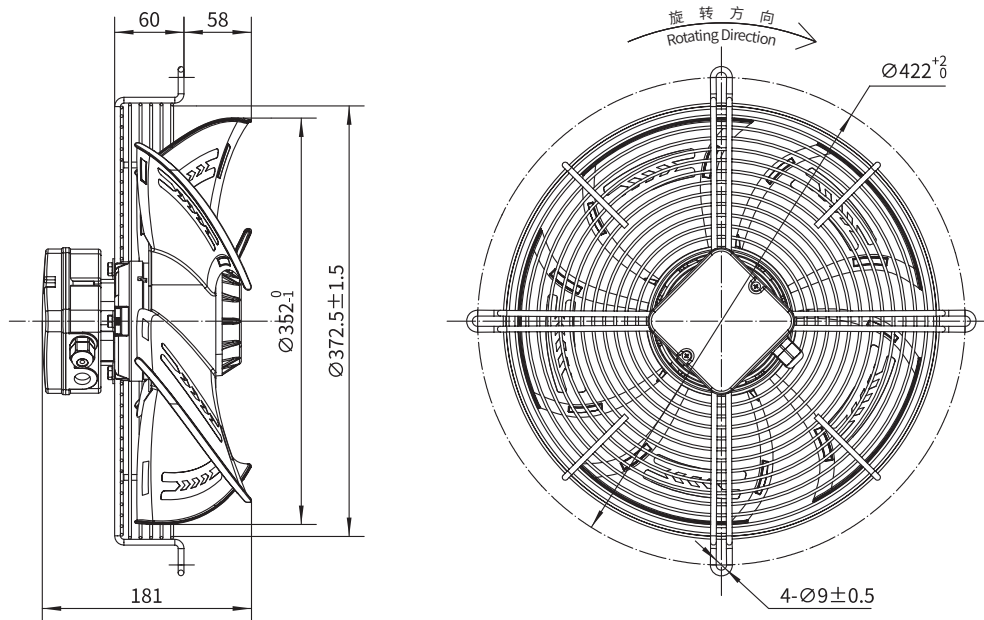
**Φ350**


转子材质 Rotor Material: 铸铝 Aluminum Die-casting  
 叶轮材质 Impeller Material: 塑料 Plastic  
 防护等级 Ingress Protection: IP54  
 绝缘等级 Insulation Class: F  
 轴承类型 Bearing Type: 免维护滚珠球轴承  
 Maintenance Free Ball Bearing

**性能曲线 Performance Curves**



				
Type B	Type C	Type D	Type E	Type F0
YWF.A4S-350S-5B   AP0	YWF.A4S-350S-5C   AP0	YWF.A4S-350S-5D   AP0	YWF.A4S-350S-5E   AP0	YWF.A4S-350S-5F   AP0
YWF.A4T-350S-5B   AP0	YWF.A4T-350S-5C   AP0	YWF.A4T-350S-5D   AP0	YWF.A4T-350S-5E   AP0	YWF.A4T-350S-5F   AP0
YWF.A6S-350S-5B   AP0	YWF.A6S-350S-5C   AP0	YWF.A6S-350S-5D   AP0	YWF.A6S-350S-5E   AP0	YWF.A6S-350S-5F   AP0
YWF.A6T-350S-5B   AP0	YWF.A6T-350S-5C   AP0	YWF.A6T-350S-5D   AP0	YWF.A6T-350S-5E   AP0	YWF.A6T-350S-5F   AP0

**B 型网罩 Type B**

**C 型网罩 Type C**


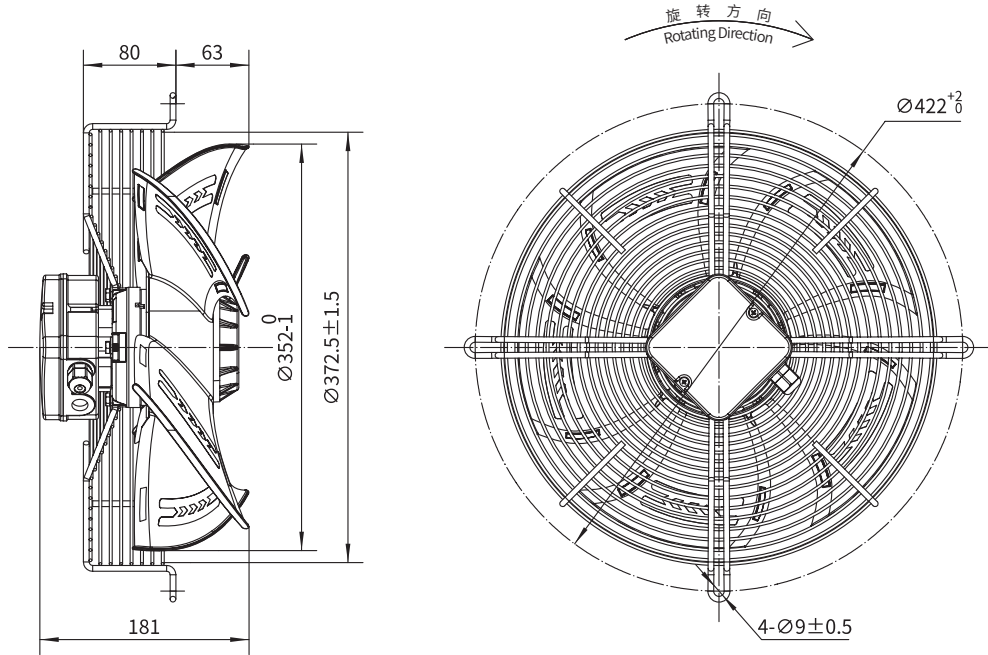
	电压 Voltage	频率 Frequency	电流 Current	功率 Power	转速 Speed	电容 Capacitor	风量 Air Flow (0 Pa)	噪音 Noise	曲线 Curve	运行温度 Working Temp.	认证 Approvals
Type F1	V	Hz	A	W	RPM	μF	[m <sup>3</sup> /h]/[CFM]	dB(A)	No.	Min/Max(°C)	
/	220/230	50	0.73	155	1380	4	3140/1845	60	③	-30/+60	CCC, CE
/	220/230	60	0.94	215	1500	4	3600/2120	63	④	-30/+60	CCC, CE
/	380/400	50	0.37	150	1370	/	3060/1800	60	③	-30/+60	CCC, CE
/	380/400	60	0.38	200	1530	/	3470/2040	63	④	-30/+60	CCC, CE
/	220/230	50	0.41	85	910	3	2080/1225	48	①	-30/+60	CCC, CE
/	220/230	60	0.39	90	1060	3	2420/1426	53	②	-30/+60	CCC, CE
/	380/400	50	0.21	70	930	/	2200/1295	54	①	-30/+60	CCC, CE
/	380/400	60	0.19	85	1050	/	2540/1495	56	②	-30/+60	CCC, CE



机翼形塑料叶片轴流风机  
Plastic Airfoil Blade Axial Fan

Φ 350

D 型网罩 Type D





**机翼形塑料叶片轴流风机**  
**Plastic Airfoil Blade Axial Fan**

**Φ 350**

F0 型面板 Type F0

