

EC 前倾离心及鼓风机
EC Forward Curved Centrifugal Fan and Blower

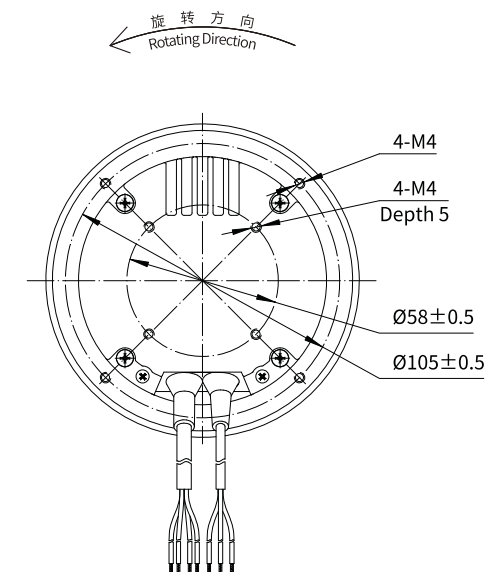
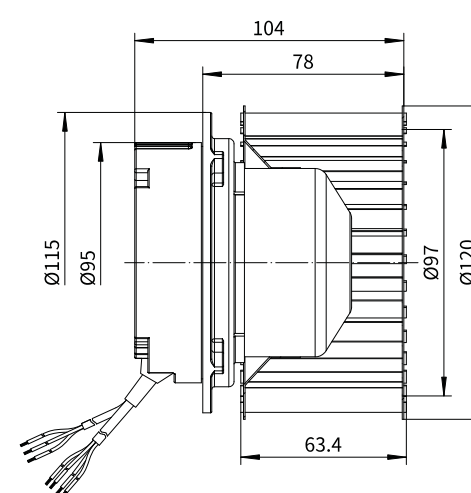
ErP2015
EXCEEDS THE NORM

前倾离心风机 Motorized Forward Curved Impeller

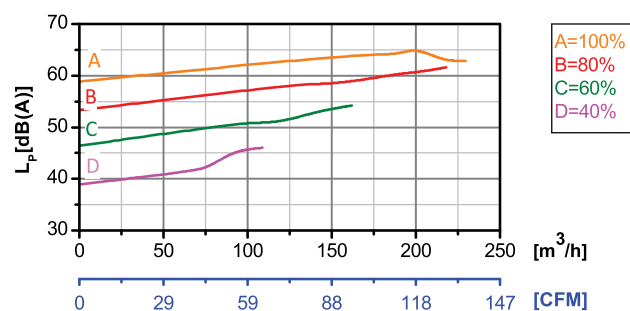
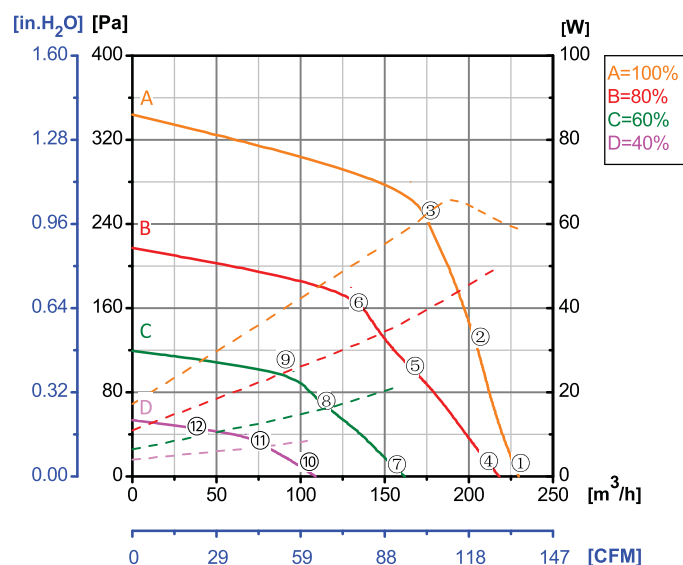


Φ 120

转子材质 Rotor Material: 碳钢 Carbon steel
 蜗壳材质 Housing Material: 碳钢 Carbon steel
 叶轮材质 Impeller Material: 镀锌板 Galvanized steel sheet
 防护等级 Ingress Protection: IP44
 绝缘等级 Insulation Class: F
 轴承类型 Bearing Type: 免维护滚珠轴承
 Maintenance free ball bearing



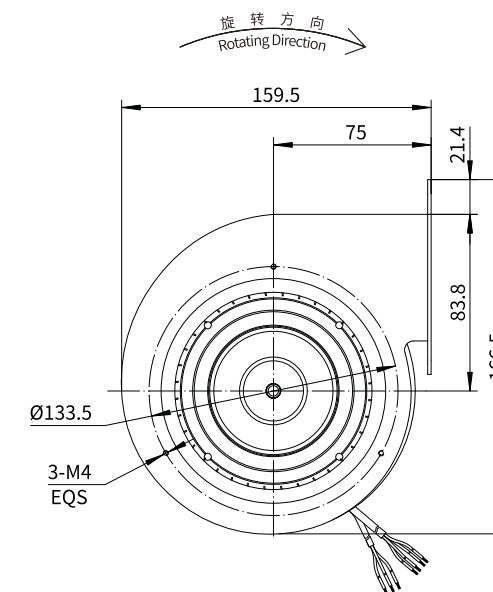
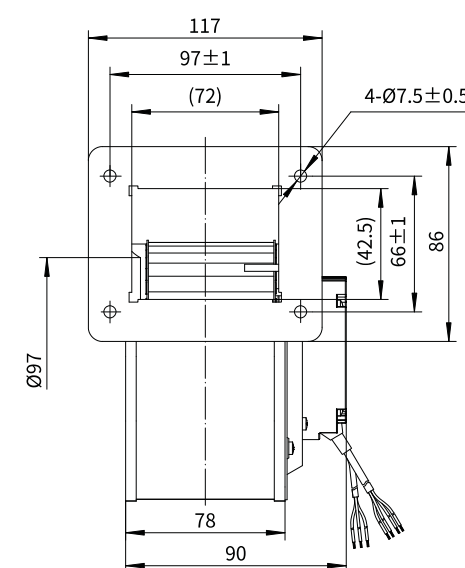
性能曲线 Performance Curves



测试节点 Test Point	转速 Speed rpm	输入功率 Input Power W
1	2775	59
2	3064	63
3	3289	63
4	2631	50
5	2639	39
6	2634	33
7	1971	22
8	1971	17
9	1972	14
10	1343	8
11	1344	8
12	1336	7

Erp2015 Data:
 Efficiency $\eta_{statA} = \% < 125W$
 Efficiency grade $N_{actual} = *, N_{target} = 44$
 Test report No. : L-20210302-003-011

鼓风机 Blower



产品型号 Model No.	电压 Voltage	频率 Frequency	转速 Speed	输入功率 Input Power	电流 Current	运行温度 Working Temp.	认证 Approvals
	VAC	Hz	RPM	W	A	Min/Max (°C)	
EC72-F120-001	1~220/230	50/60	2800	65	0.57	-20/+60	CCC,CE