



**常规金属叶片轴流风机**  
**Conventional Carbon Steel Blade Axial Fan**

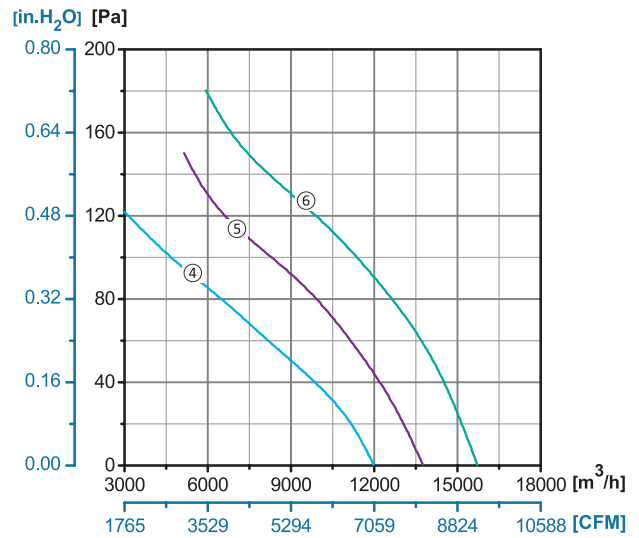
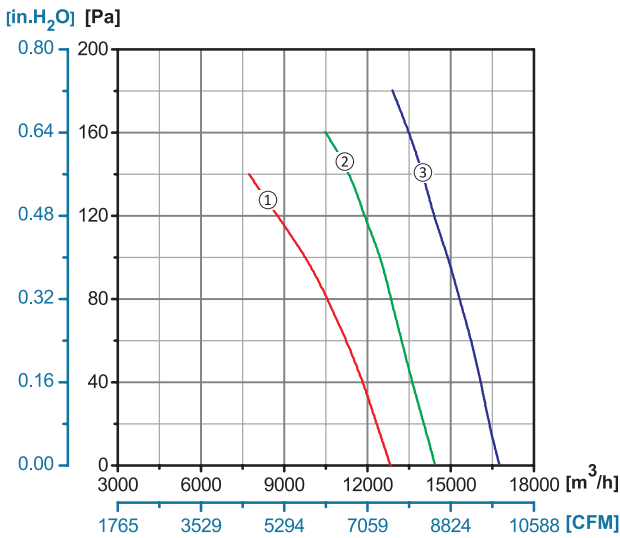
**ErP2015**  
EXCEEDS THE NORM








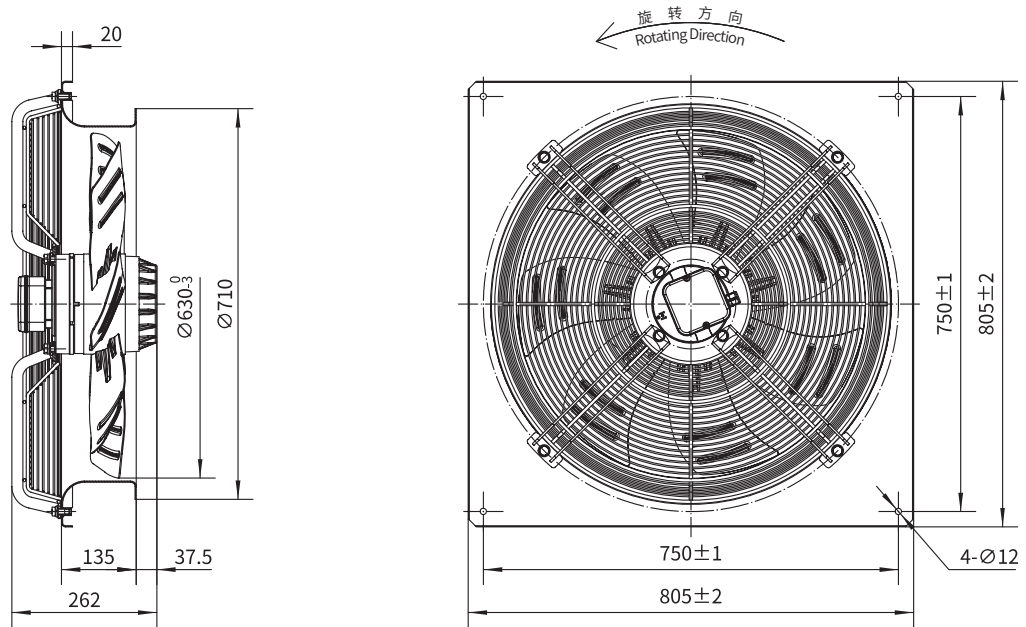
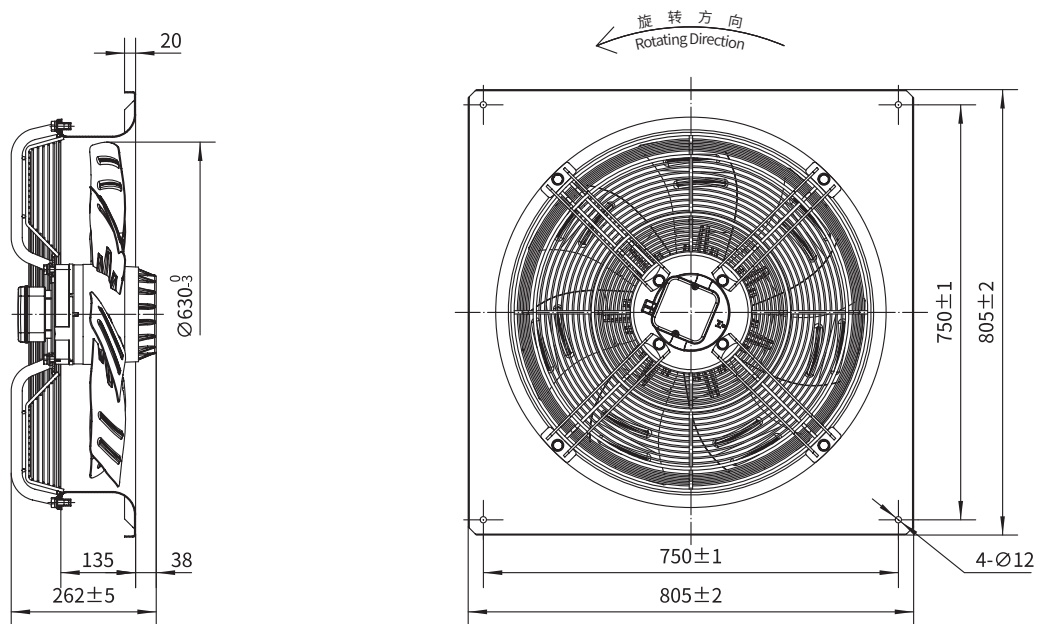
**Φ630-H**


转子材质 Rotor Material: 铸铝 Aluminum Die-casting  
 叶轮材质 Impeller Material: 碳钢 Carbon Steel  
 防护等级 Ingress Protection: IP54  
 绝缘等级 Insulation Class: F  
 轴承类型 Bearing Type: 免维护滚珠球轴承  
 Maintenance Free Ball Bearing

**性能曲线 Performance Curves**



				
Type B	Type C	Type D	Type E	Type F0
/	/	/	/	YWF.A4T-630S-7F   S11
/	/	/	/	YWF.A6T-630S-7F   S11

**F0 型面板 Type F0**

**F1 型面板 Type F1**


	电压 Voltage	频率 Frequency	电流 Current	功率 Power	转速 Speed	电容 Capacitor	风量 Air Flow (0 Pa)	噪音 Noise	曲线 Curve	运行温度 Working Temp.	认证 Approvals
Type F1	V	Hz	A	W	RPM	$\mu\text{F}$	$[\text{m}^3/\text{h}]/[\text{CFM}]$	dB(A)	No.	Min/Max(°C)	
YWF.A4T-630S-7F   S10	380/400	50	2.50	1400	1400	/	14430/8488	76	②	-30/+60	CCC, CE
	380/400	50	1.70	1100	1200	/	12840/7553	74	①	-30/+60	CCC, CE
	380/400	60	3.00	1800	1650	/	16750/9853	78	③	-30/+60	CCC, CE
YWF.A6T-630S-7F   S10	380/400	50	2.00	900	940	/	13760/8094	73	⑤	-30/+60	CCC, CE
	380/400	50	1.15	700	825	/	12000/7059	69	④	-30/+60	CCC, CE
	380/400	60	2.20	1260	1070	/	15720/9247	77	⑥	-30/+60	CCC, CE