



常规金属叶片轴流风机
Conventional Carbon Steel Blade Axial Fan

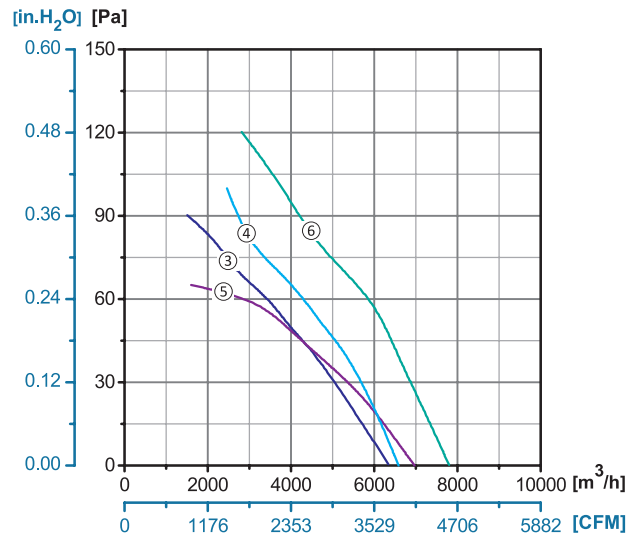
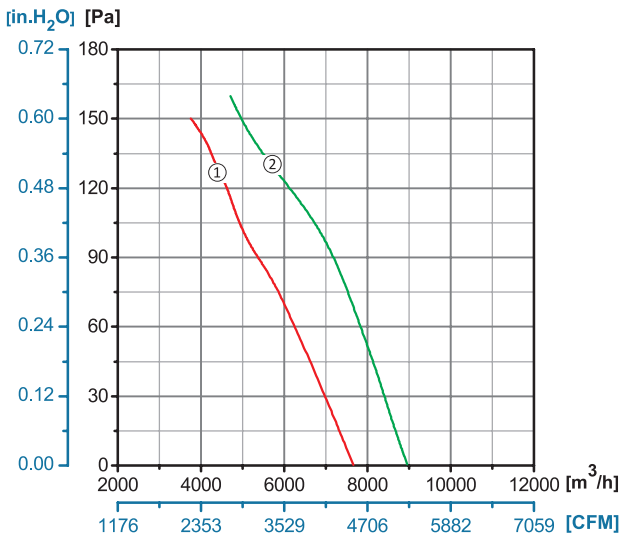
ErP2015
EXCEEDS THE NORM








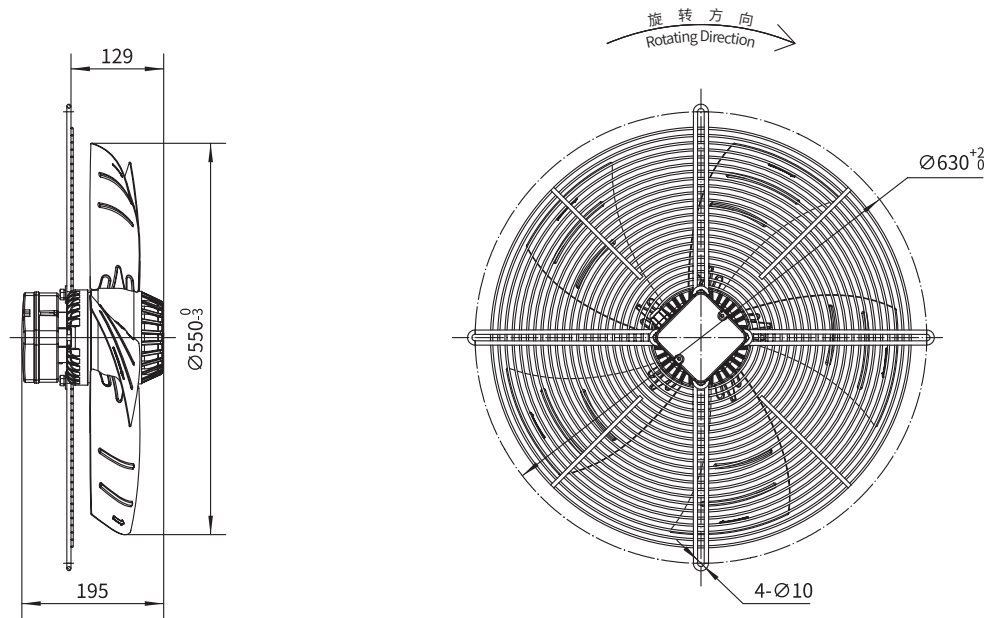
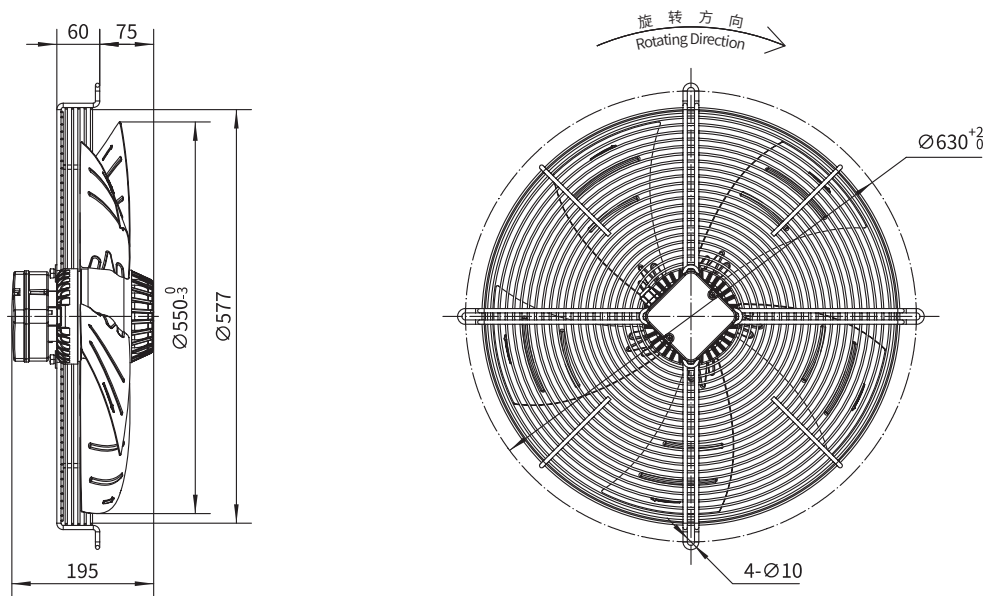
Φ550

转子材质 Rotor Material: 铸铝 Aluminum Die-casting
 叶轮材质 Impeller Material: 碳钢 Carbon Steel
 防护等级 Ingress Protection: IP54
 绝缘等级 Insulation Class: F
 轴承类型 Bearing Type: 免维护滚珠球轴承
 Maintenance Free Ball Bearing

性能曲线 Performance Curves



 Type B	 Type C	 Type D	 Type E	 Type F0
YWF.A4S-550S-5B A00	YWF.A4S-550S-5C A00	YWF.A4S-550S-5E A00	YWF.A4S-550S-5D A00	YWF.A4S-550S-5F A00
YWF.A4T-550S-5B A00	YWF.A4T-550S-5C A00	YWF.A4T-550S-5E A00	YWF.A4T-550S-5D A00	YWF.A4T-550S-5F A00
YWF.A6S-550S-5B A00	YWF.A6S-550S-5C A00	YWF.A6S-550S-5E A00	YWF.A6S-550S-5D A00	YWF.A6S-550S-5F A00
YWF.A6T-550S-5B A00	YWF.A6T-550S-5C A00	YWF.A6T-550S-5E A00	YWF.A6T-550S-5D A00	YWF.A6T-550S-5F A00

B 型网罩 Type B

C 型网罩 Type C


	电压 Voltage	频率 Frequency	电流 Current	功率 Power	转速 Speed	电容 Capacitor	风量 Air Flow (0 Pa)	噪音 Noise	曲线 Curve	运行温度 Working Temp.	认证 Approvals
Type F1	V	Hz	A	W	RPM	μF	[m ³ /h]/[CFM]	dB(A)	No.	Min/Max(°C)	
YWF.A4S-550S-5F A01	220/230	50	2.50	550	1320	12	7500/4425	73	①	-30/+60	CCC, CE
	220/230	60	3.30	725	1400	12	8800/5192	74	②	-30/+60	CCC, CE, UL
YWF.A4T-550S-5F A01	380/400	50	1.10	550	1330	/	7500/4425	73	①	-30/+60	CCC, CE
	380/400	60	1.40	725	1500	/	8800/5192	74	②	-30/+60	CCC, CE, UL
YWF.A6S-550S-5F A01	220/230	50	1.50	320	910	10	6340/3729	62	③	-30/+60	CCC, CE
	220/230	60	2.15	465	1060	10	7000/4130	66	⑤	-30/+60	CCC, CE, UL
YWF.A6T-550S-5F A01	380/400	50	0.95	320	910	/	6500/3835	64	④	-30/+60	CCC, CE
	380/400	60	1.00	440	1090	/	7800/4588	66	⑥	-30/+60	CCC, CE, UL

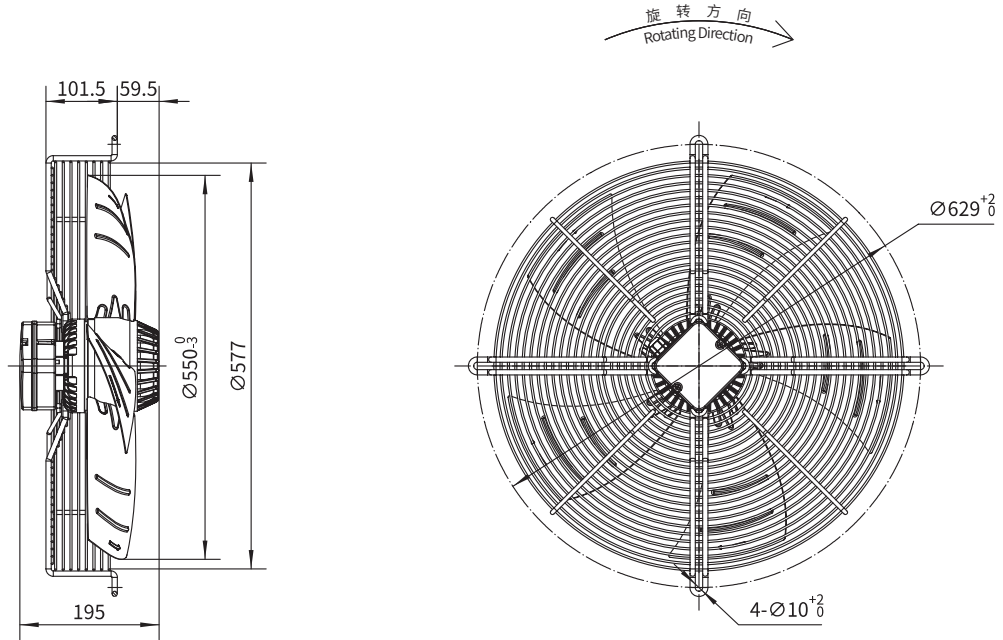




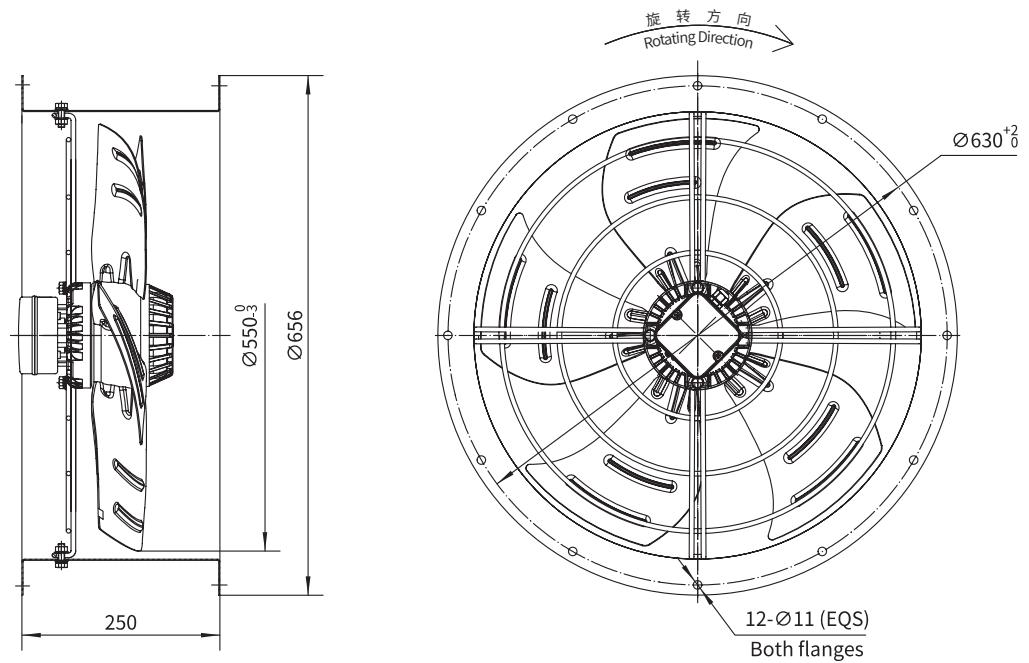
常规金属叶片轴流风机
Conventional Carbon Steel Blade Axial Fan

Φ550

D 型网罩 Type D



E 型导风筒 Type E

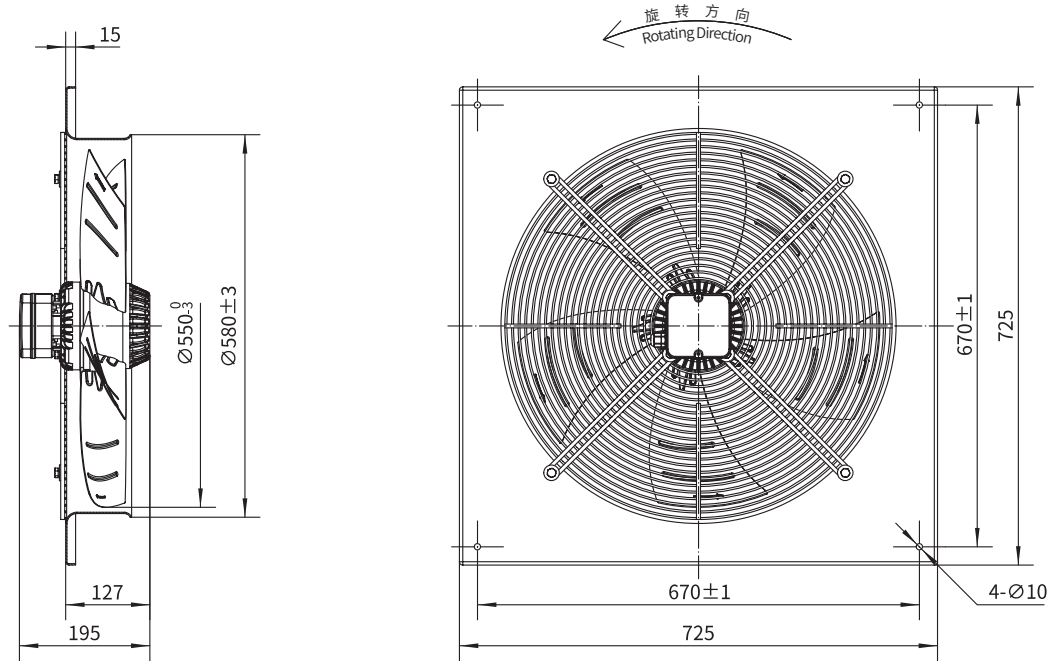




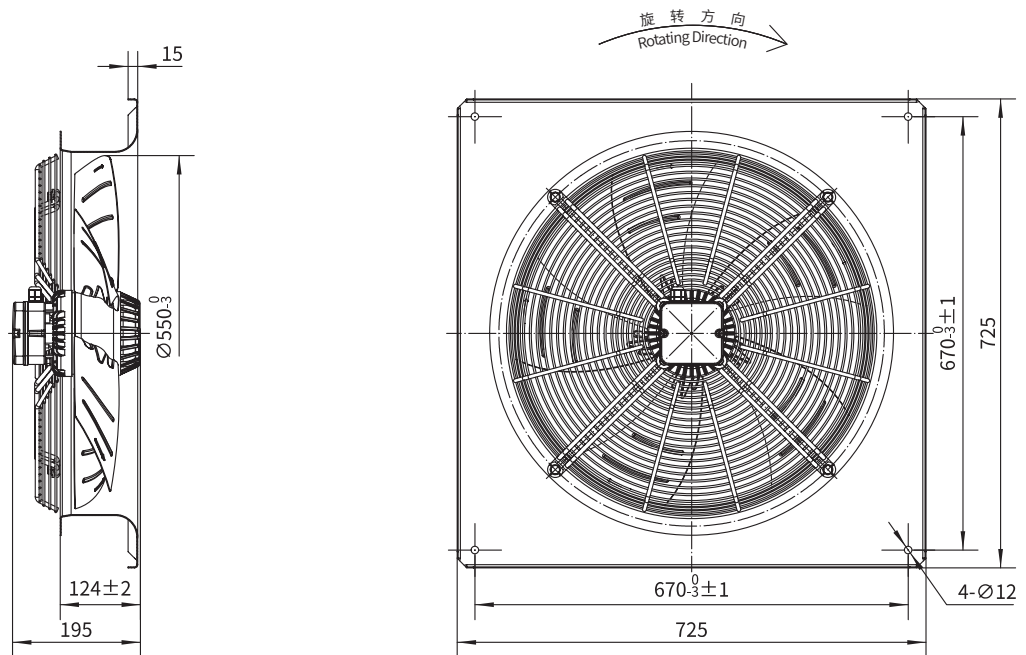
常规金属叶片轴流风机
Conventional Carbon Steel Blade Axial Fan

Φ550

F0 型面板 Type F0



F1 型面板 Type F1



常规金属叶片轴流风机
Conv. Steel Blade Axial

