



机翼形塑料叶片轴流风机
Plastic Airfoil Blade Axial Fan

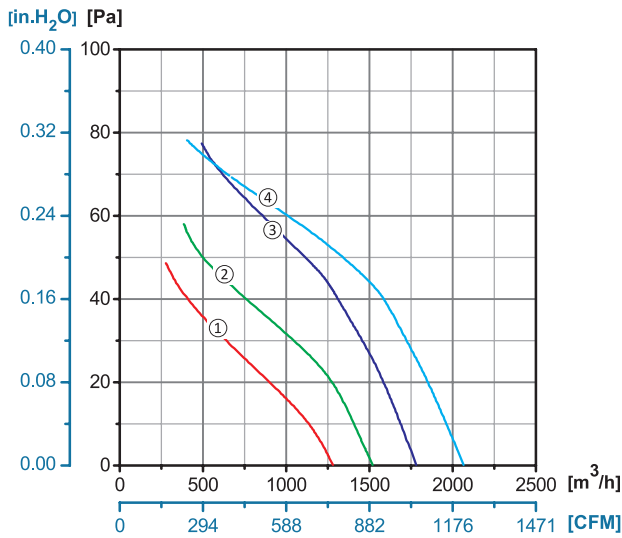
ErP2015
EXCEEDS THE NORM








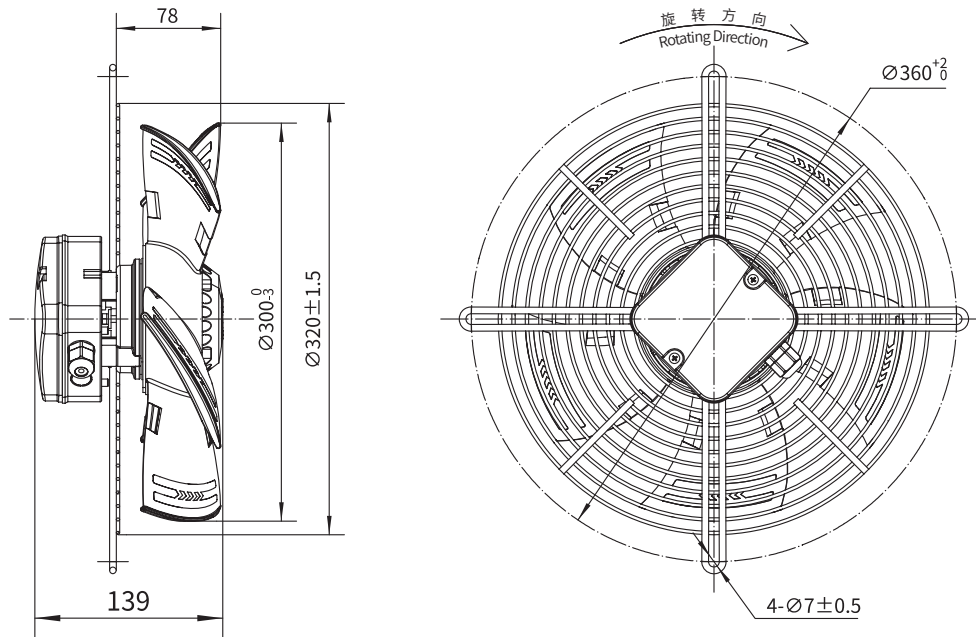
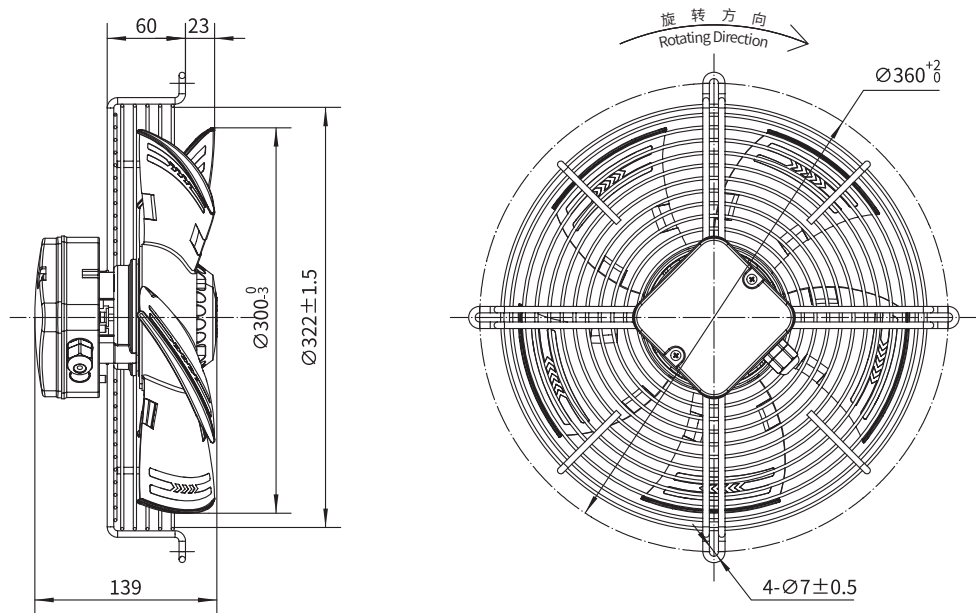
Φ 300


转子材质 Rotor Material: 铸铝 Aluminum Die-casting
 叶轮材质 Impeller Material: 塑料 Plastic
 防护等级 Ingress Protection: IP44
 绝缘等级 Insulation Class: F
 轴承类型 Bearing Type: 免维护滚珠球轴承
 Maintenance Free Ball Bearing

性能曲线 Performance Curves



|  |  |  |  |  |
|---|---|---|--|---|
| Type B | Type C | Type D | Type E | Type F0 |
| YWF.A4S-300S-5B AP0 | YWF.A4S-300S-5C AP0 | YWF.A4S-300S-5D AP0 | YWF.A4S-300S-5E AP0 | YWF.A4S-300S-5F AP0 |
| YWF.A4T-300S-5B AP0 | YWF.A4T-300S-5C AP0 | YWF.A4T-300S-5D AP0 | YWF.A4T-300S-5E AP0 | YWF.A4T-300S-5F AP0 |
| YWF.A6S-300S-5B AP0 | YWF.A6S-300S-5C AP0 | YWF.A6S-300S-5D AP0 | YWF.A6S-300S-5E AP0 | YWF.A6S-300S-5F AP0 |

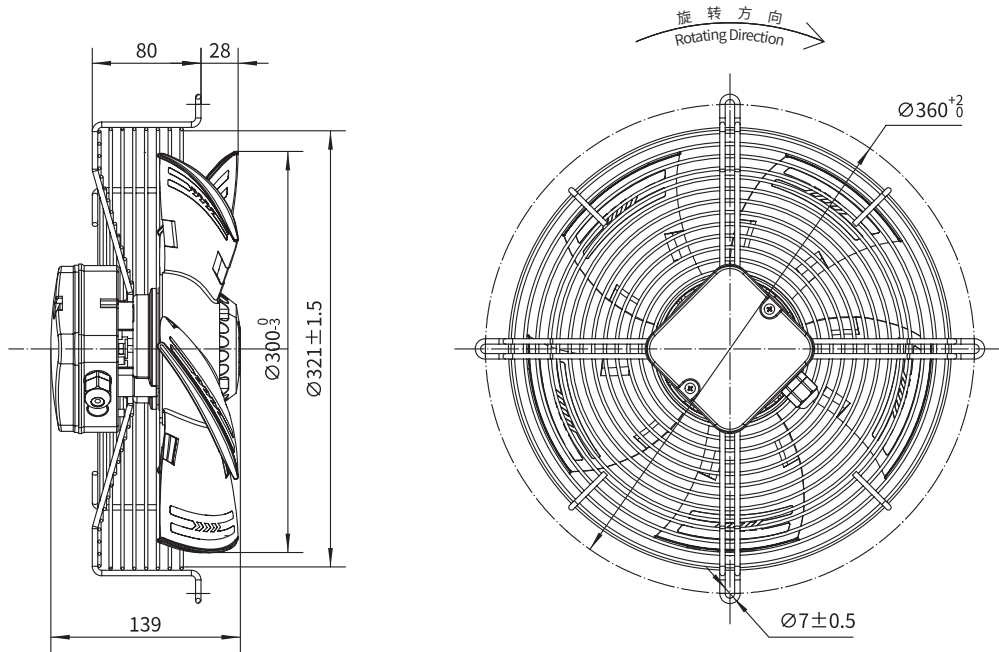
B 型网罩 Type B

C 型网罩 Type C


|  | 电压 Voltage | 频率 Frequency | 电流 Current | 功率 Power | 转速 Speed | 电容 Capacitor | 风量 Air Flow (0 Pa) | 噪音 Noise | 曲线 Curve | 运行温度 Working Temp. | 认证 Approvals |
|---|---------------|-----------------|---------------|-------------|-------------|-----------------|---------------------------|-------------|-------------|-----------------------|-----------------|
| Type F1 | V | Hz | A | W | RPM | µF | [m ³ /h]/[CFM] | dB(A) | No. | Min/Max(°C) | |
| / | 220/230 | 50 | 0.28 | 65 | 1320 | 2 | 1780/1050 | 53 | ③ | -30/+60 | CCC, CE |
| / | 220/230 | 60 | 0.32 | 77 | 1485 | 2 | 2065/1215 | 56 | ④ | -30/+60 | CCC, CE |
| / | 220/230 | 50 | 0.17 | 70 | 1350 | / | 1740/1025 | 55 | ③ | -30/+60 | CCC, CE |
| / | 220/230 | 60 | 0.16 | 80 | 1500 | / | 1970/1160 | 58 | ④ | -30/+60 | CCC, CE |
| / | 220/230 | 50 | 0.24 | 50 | 920 | 2 | 1280/755 | 48 | ① | -30/+60 | CCC, CE |
| / | 220/230 | 60 | 0.24 | 55 | 1080 | 2 | 1520/895 | 53 | ② | -30/+60 | CCC, CE |

 机翼形塑料叶片轴流风机
Plastic Airfoil Blade Axial Fan

Φ 300

D 型网罩 Type D





机翼形塑料叶片轴流风机
Plastic Airfoil Blade Axial Fan

Φ 300

F0 型面板 Type F0

